

## 1950nm Polarization Insensitive / Sensitive Isolator (IS)

### Features

- Wide Operating Wavelength
- High Isolation & Low Insertion Loss
- Low PDL
- Telcordia GR-1221 Compliant
- Polarization Insensitive and Polarization Sensitive (Dependent)

### Application

- Fiber Amplifier
- Fiber Laser
- Surgical Equipment

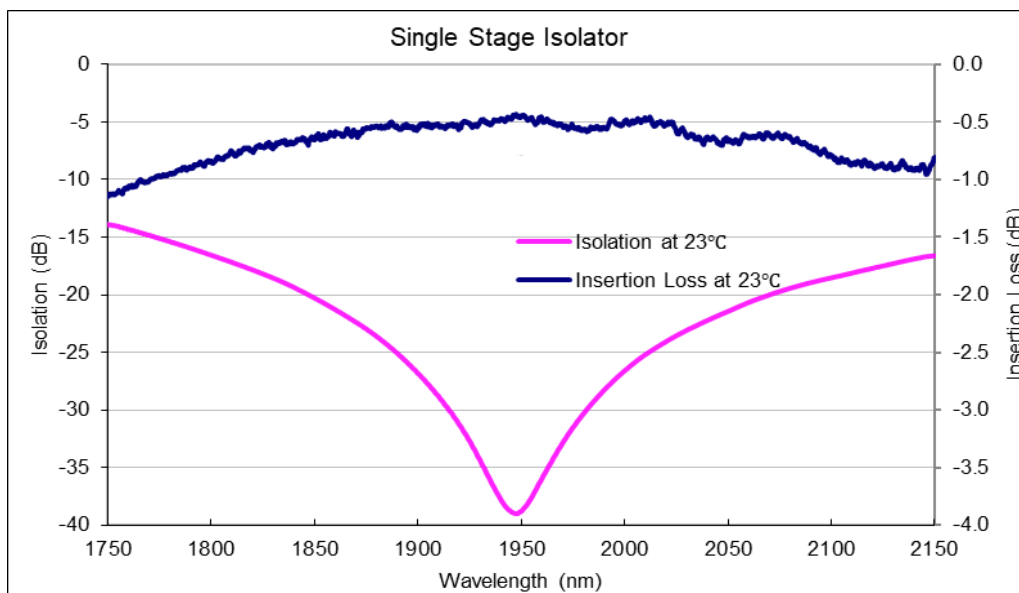


### Specifications

| Parameters   | Unit                     | Single Stage    | Dual Stage   |
|--|--------------------------|-----------------|--------------|
| Center Wavelength  | nm                       | 1950            |              |
| Peak isolation   | dB                       | 30              | 45           |
| Min Isolation ( $\lambda_c \pm 15\text{nm}, 23^\circ\text{C}$ all sop)           | dB                       | 20              | 35           |
| Typ. IL ( $\lambda_c \pm 20\text{nm}, 23^\circ\text{C}$ all sop)                 | dB                       | 0.80            | 1.00         |
| Insertion Loss ( $\lambda_c \pm 20\text{nm}, -5 \sim +70^\circ\text{C}$ all sop) | dB                       | $\leq 1.5$      | $\leq 1.80$  |
| Polarization Dependent Loss (PDL)  | Polarization Insensitive | dB              | $\leq 0.10$  |
|  | Polarization Sensitive   | dB              | $\geq 20$    |
| PMD  | ps                       | $\leq 0.2$      | $\leq 0.05$  |
| Return Loss (Input / Output) (RL)  | dB                       | $\geq 50/50$    | $\geq 50/50$ |
| Fiber Type   |                          | SMF-28e, SM1950 |              |
| Max Power Handling CW  | mW                       | 500             |              |
| Operating Temperature  | $^\circ\text{C}$         | $-0 \sim +75$   |              |
| Storage Temperature  | $^\circ\text{C}$         | $-40 \sim +85$  |              |

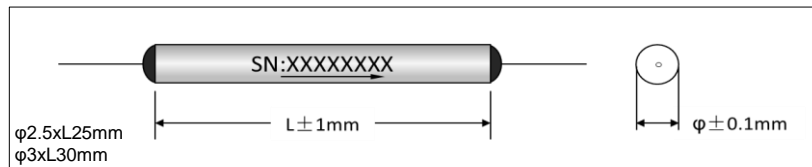
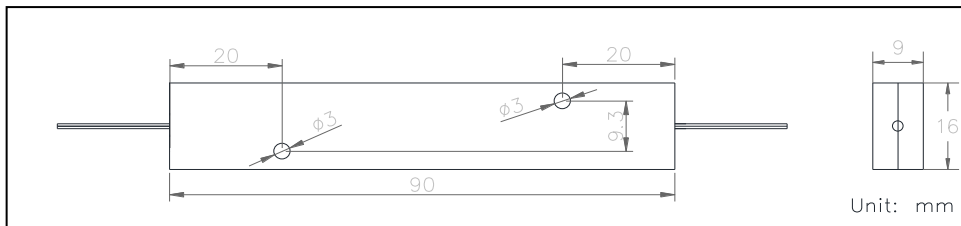
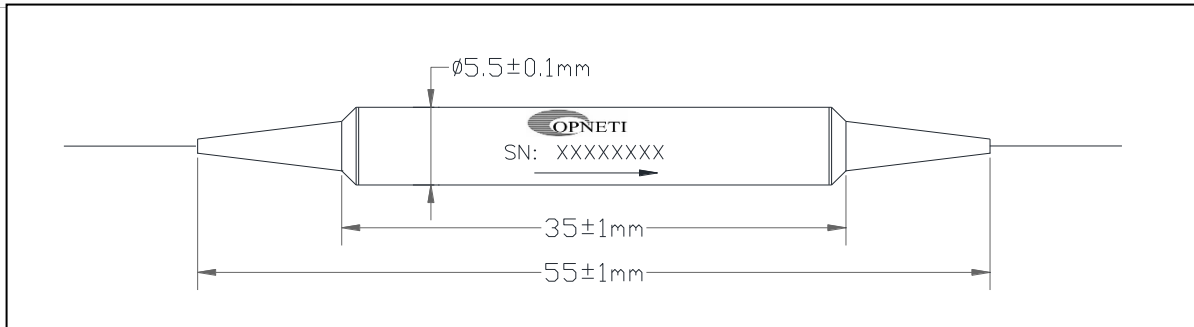
Above data test at room temperature without connectors. With connectors, IL+0.3dB, RL-5dB.

### Typical Spectrum



### Package Information

|                   |   |   |   |
|-------------------|---|---|---|
| Fiber Length      | 1m, others on request   |   |   |
| Pigtail Type      | 250 $\mu\text{m}$ Bare Fiber  | 900 $\mu\text{m}$ Loose Tube                | 2mm/3mm Loose Cable                                     |
| Dimensions(mm)    | $\phi 2.5 \times 25, \phi 3 \times 25, \phi 3 \times 30, \phi 5.5 \times 35,$ | $\phi 5.5 \times 35, 90 \times 16 \times 9$ | $\phi 5.5 \times 35$ (no boot), $90 \times 16 \times 9$ |
| Approx Weight (g) | 35  | 50  | 65  |



**Ordering Information**

IS- ①-②②②②-③-④④④-⑤-⑥-⑦⑦

|   |                |  |
|---|----------------|--|
| ① | Type           | S=Single Stage; D=Dual Stage;  |
| ② | Wavelength     | 1950;  |
| ③ | Axis Alignment | 1=Polarization Sensitive; 2=Polarization Insensitive;                              |
| ④ | Pigtail Type   | 250=250μm Fiber; 900=900μm Loose Tube; 2000=2mm Loose Cable; 3000=3mm Loose Cable; |
| ⑤ | Fiber Type     | 1=SMF-28e; S9=SM1950;  |
| ⑥ | Fiber Length   | 1=1m; XX=other;  |
| ⑦ | Connector      | NE=None; FA=FC/APC; FC=FC/UPC; SA=SC/APC; SC=SC/UPC; LC=LC/UPC; XX=Others;         |